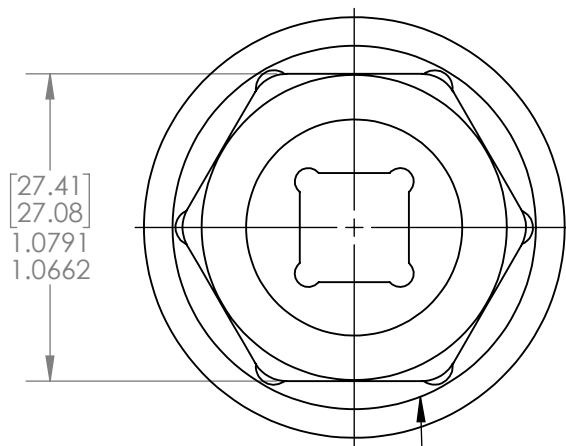
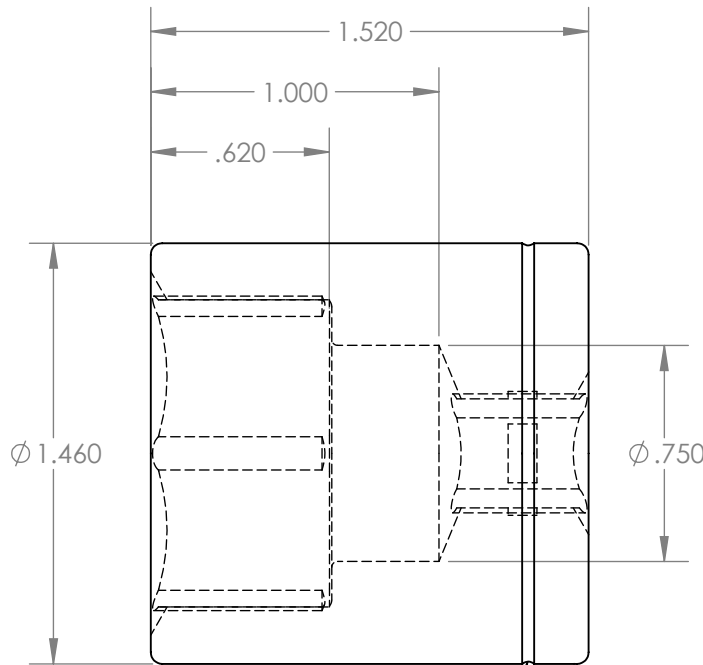


SCALE: 1:1



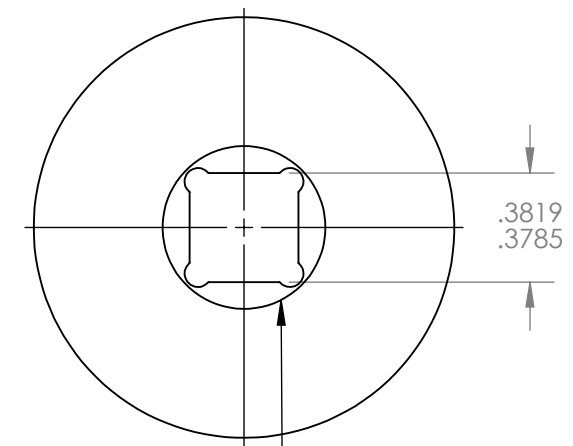
[27.41]  
[27.08]  
1.0791  
1.0662

CHAMFER .01 X 60° MIN  
PAST CORNER DRILL EDGE

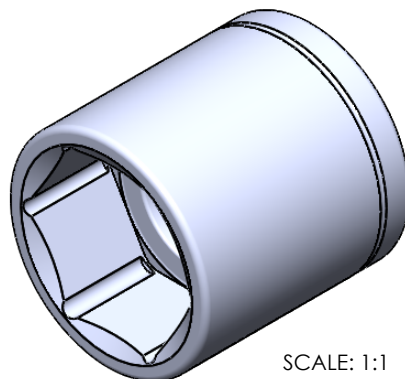


METRIC IDENTIFICATION  
SCRIBE LINE

2X R.040



CHAMFER .01 X 60° MIN  
PAST CORNER DRILL EDGE



SCALE: 1:1

UNLESS OTHERWISE SPECIFIED: DIMENSIONS ARE IN INCHES			TOLERANCES: X.XX= ±0.13 X.XXX= ±0.015 X.XXXX= -0.0015		
DRAWN	NAME	SIGN	DATE		
APP'VD	A.T.		06.13.19		
MATERIAL: 17-4 MAGNETIC S.S.					TITLE: 27.0MM X 3/8" DRIVE SOCKET
THIS DRAWING IS THE PROPERTY OF STERITOOL, INC. ANY REPRODUCTIONS OR MODIFICATIONS OF THIS DRAWING OR ITS CONTENTS WITHOUT THE CONSENT OF STERITOOL, INC. IS PROHIBITED.					PART NO. 10727
					SCALE: 1.5:1